

EDGE ARMOR™

PERIMETER TRIM RESOURCE CATALOG

STAND GUARD OVER YOUR ROOF BY MATCHING
PERFORMANCE, AFFORDABILITY, AND AVAILABILITY
WITH OUR EDGE METAL ROOFING LINES!

1.888.425.0276
www.CraftedMetal.com



Crafted Metal is pleased to introduce **EDGE ARMOR™**.

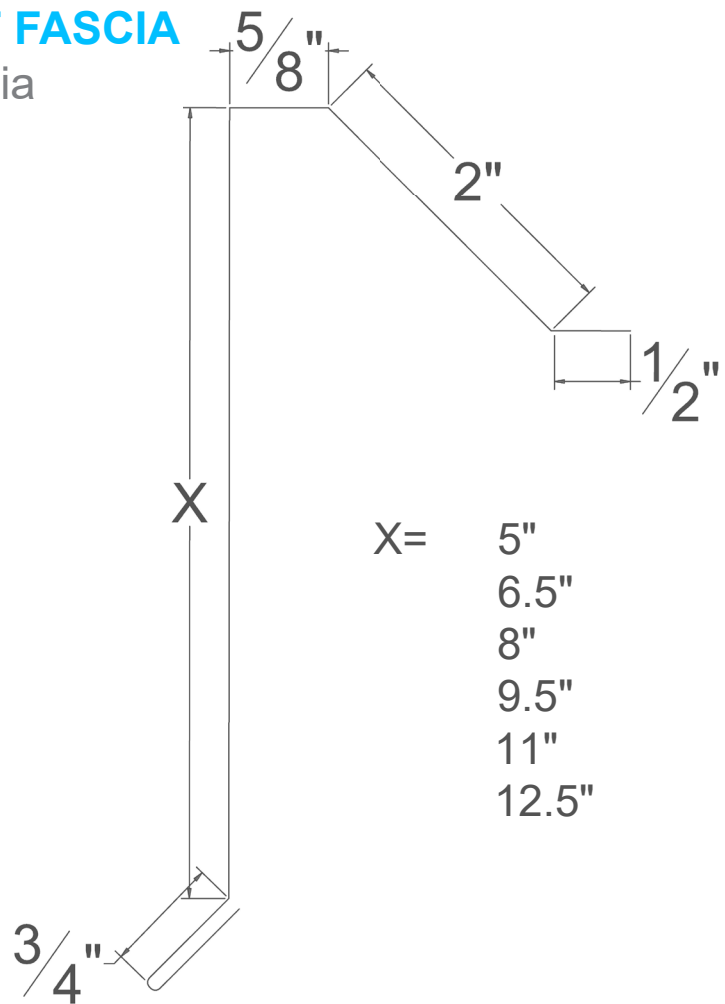
Manufactured to “stand guard over your roof.” This ES-1 tested offering of edge metal is designed to provide high quality performance with rapid availability and competitive pricing.

TABLE OF CONTENTS

- 3** ARMOR LOCK FAST FASCIA
- 4** ARMOR LOCK FAST FASCIA CLEAT
- 5** ARMOR LOCK COPING CAP
- 6** ARMOR COPING CAP CLEAT
- 7** ARMOR LOCK GRAVEL STOP
- 8** ARMOR LOCK GRAVEL STOP CLEAT
- 9** ARMOR LOCK DRIP EDGE
- 10** ARMOR LOCK DRIP EDGE CLEAT

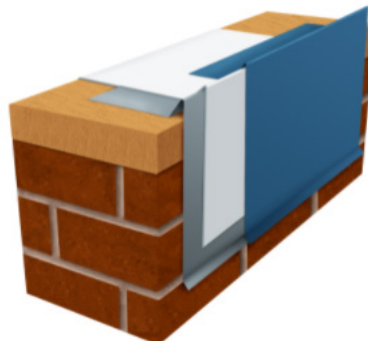
ARMOR LOCK FAST FASCIA

Armor Lock Fast Fascia



Application: 24 ga.

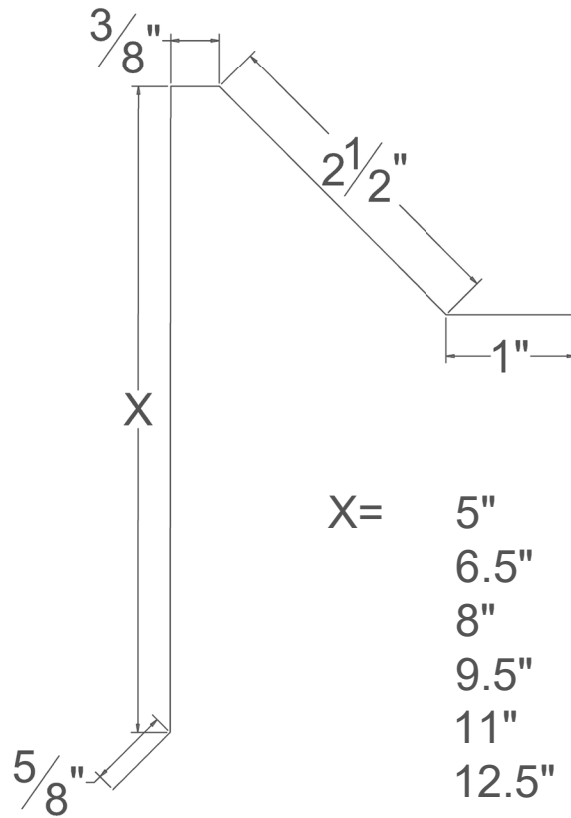
*All measurements and thicknesses are nominal



24ga PVDF STEEL
X=5in - PAIAFF50024
X=6.5in - PAIAFF65024
X=8in - PAIAFF80024
X=9.5in - PAIAFF95024
X=11in - PAIAFF11024
X=12.5in - PAIAFF12524

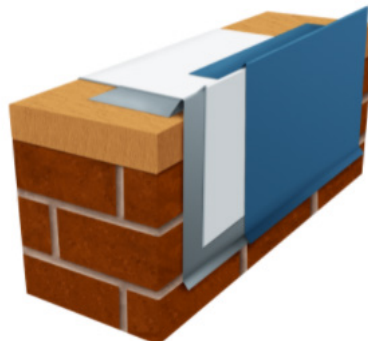
ARMOR LOCK FAST FASCIA CLEAT

Armor Lock Fast Fascia



Application: 24 ga.

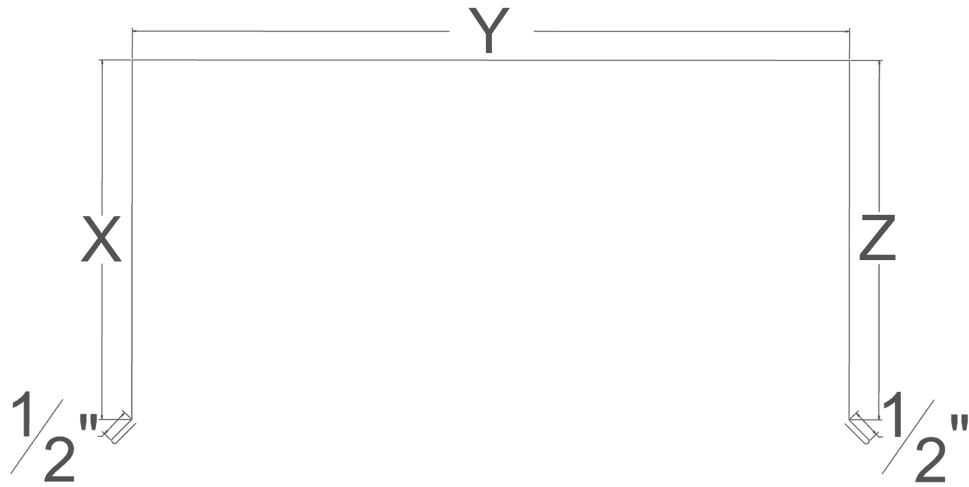
*All measurements and thicknesses are nominal



24ga STEEL CLEAT (ALL APPLICATIONS)
X=5in - GLMFFCL50024
X=6.5in - GLMFFCL65024
X=8in - GLMFFCL80024
X=9.5in - GLMFFCL95024
X=11in - GLMFFCL11024
X=12.5in - GLMFFCL125024

ARMOR LOCK COPING CAP

Armor Lock Coping



Application: 24 ga.

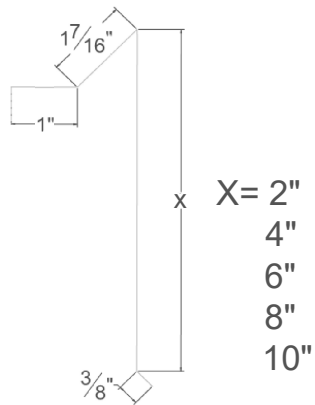
*All measurements and thicknesses are nominal

24ga PVDF - 10ft PIECE

PAIALC424

ARMOR COPING CAP CLEAT

Armor Lock Coping



Application: 24 ga.

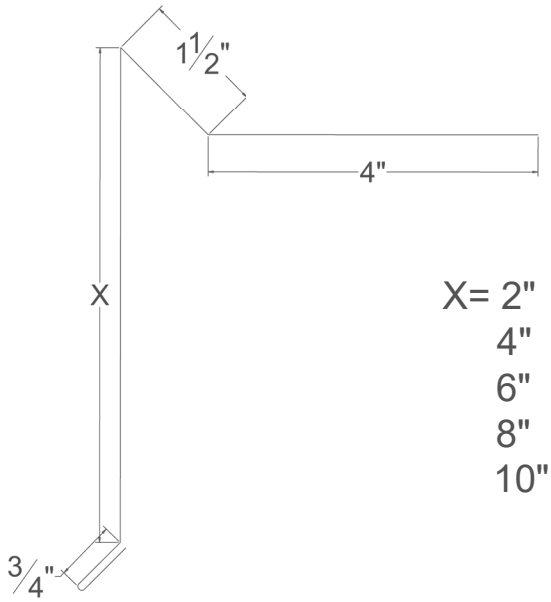
*All measurements and thicknesses are nominal

24ga GALVALUME - 10ft PIECE

GLMALCL24

ARMOR LOCK GRAVEL STOP

Armor Lock Gravel Stop



$X = 2"$
 $4"$
 $6"$
 $8"$
 $10"$

24ga PVDF STEEL

X=2in - PAIALG224

X=4in - PAIALG424

X=6in - PAIALG624

X=8in - PAIALG824

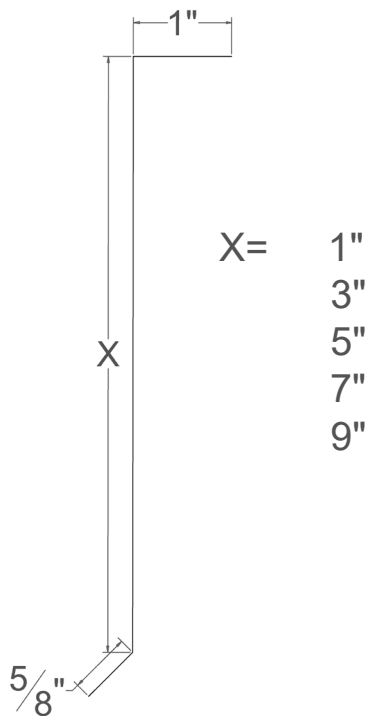
X=10in - PAIALG1024

Application: 24ga.

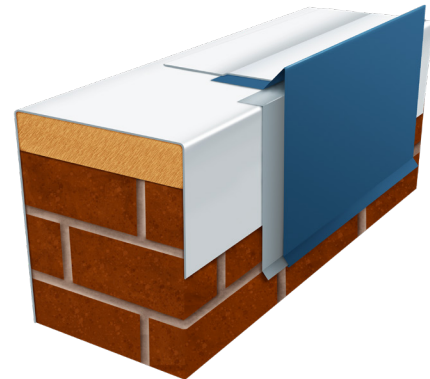
*All measurements and thicknesses are nominal

ARMOR LOCK GRAVEL STOP CLEAT

Armor Lock Gravel Stop



$X = 1"$
 $3"$
 $5"$
 $7"$
 $9"$



24ga STEEL CLEAT (ALL APPLICATIONS)

X=1in - GLMECL124

X=3in - GLMECL324

X=5in - GLMECL524

X=7in - GLMECL724

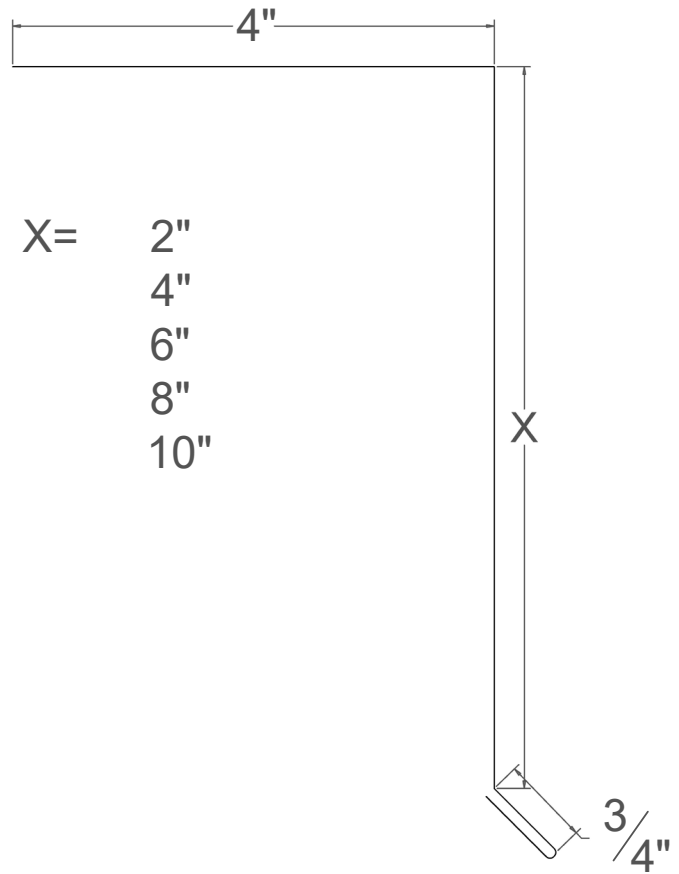
X=9in - GLMECL924

Application: 24 ga.

*All measurements and thicknesses are nominal

ARMOR LOCK DRIP EDGE

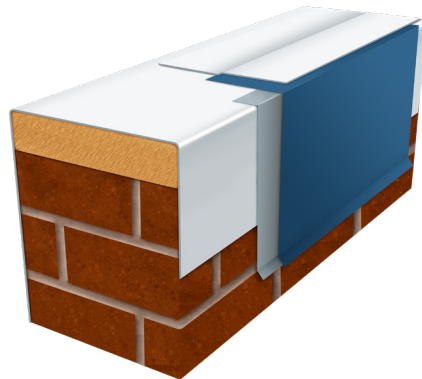
Armor Lock Drip Edge



X= 2"
4"
6"
8"
10"

Application: 24 ga.

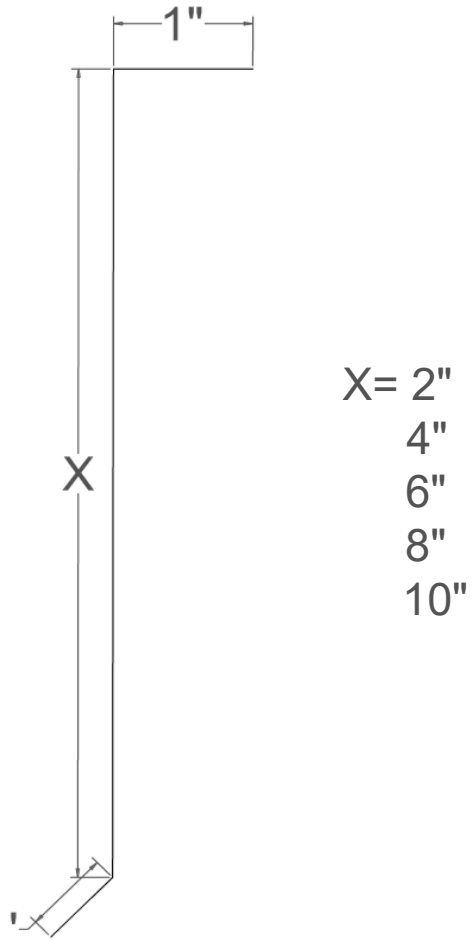
*All measurements and thicknesses are nominal



24ga PVDF STEEL
X=2in - PAIALD224
X=4in - PAIALD424
X=6in - PAIALD624
X=8in - PAIALD824
X=10in - PAIALD1024

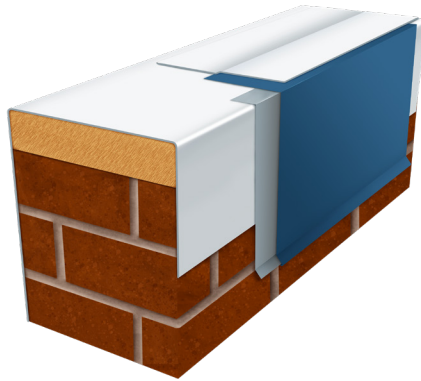
ARMOR LOCK DRIP EDGE CLEAT

Armor Lock Drip Edge



Application: 24 ga.

*All measurements and thicknesses are nominal



24ga STEEL CLEAT (ALL APPLICATIONS)
X=2in - GLMECL224
X=4in - GLMECL424
X=6in - GLMECL624
X=8in - GLMECL824
X=10in - GLMECL1024