

DETAILS MATTER.



Crafted Metal

# RESOURCE CATALOG

CUSTOM METAL BUILDING COMPONENTS



1.888.425.0276 | [www.CraftedMetal.com](http://www.CraftedMetal.com)

Crafted Metal is a division of Gulf Coast Supply & Manufacturing, LLC

# YOUR SUCCESS IS OUR SUCCESS.

*Crafted Metal is a leader in fabricated metal products for construction. Standard profiles, or custom specifications, we offer quality products and superior service. Offerings include, PVDF, SMP, Galvalume coil stock. Aluminum coil, precut flat sheets, perimeter metal, soffit, eave drip, metal roofing panels, guttering, end wall/ transition flashing, ridge/hip cap, valley metal. You are not just a customer to Crafted Metal, you are a business partner.*



***Our team stands ready to deliver project success.***

## **Crafted Metal Core Values**

### **Integrity**

Crafted Metal stands behind our products and service!

### **Diligence**

Your needs are important to Crafted Metal.

### **Simplicity**

Our customers have a personalized and streamlined ordering/quote process. This helps to save you time and make you more money.

### **Consistency**

We are always there when you need us.

## **TABLE OF CONTENTS**

### **General Building Components**

Panels .....	3
Insulation and underlayment .....	4

### **Accessories**

Screws .....	5
--------------	---

<b>Clips</b> .....	6
--------------------	---

<b>Tools</b> .....	6
--------------------	---

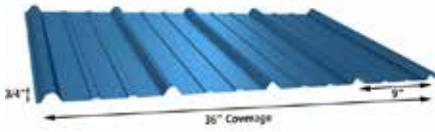
<b>Closures</b> .....	8
-----------------------	---

<b>Boots, Paint, Sealants</b> .....	9
-------------------------------------	---

### **Trims**

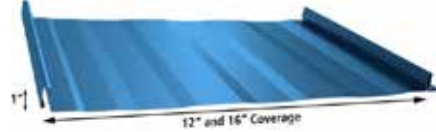
Ridge Caps .....	10
Eave Trims .....	11
Gable Trims .....	12
Wall Flashings .....	13
Transitions and Valleys .....	14
Corner Trims .....	15
Panel Capping Trims .....	16
Other Trims .....	17
Custom Trim .....	back

# CRAFTED METAL PANEL PROFILES



**GulfRib™**  
Exposed fastener

XXXTR24  
XXXTR26(K)  
XXXTR29



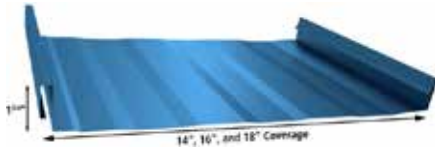
**GulfLok™**  
1" snaplock with  
screw-flange

XXXGL2410012  
XXXGL2410016  
XXXGL2610012(K)  
XXXGL2610016(K)  
XXXGL3210012  
XXXGL3210016



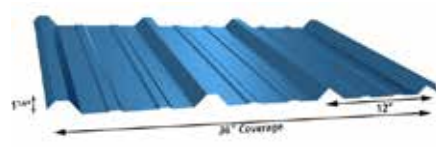
**5V Crimp**  
Exposed fastener

XXX5V24  
XXX5V26(K)



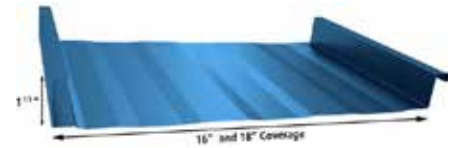
**GulfSeam™**  
1-3/4" snaplock  
clip system

XXXGS2417514  
XXXGS2417516  
XXXGS2417518  
XXXGS3217514  
XXXGS3217516  
XXXGS3217518



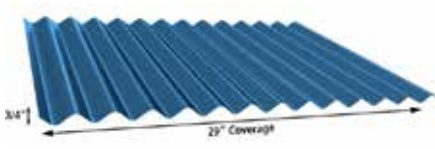
**GulfPBR™**  
Exposed fastener

XXXPB24  
XXXPB26(K)



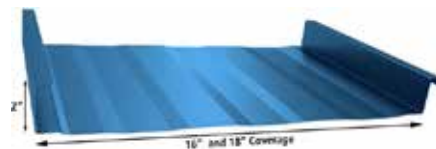
**VersaLoc™**  
1-1/2" mechanical  
seam

XXXDL2415016  
XXXDL2415018  
XXXDL3215016  
XXXDL3215018



**GulfWave™**  
Exposed fastener

XXXCO24  
XXXCO26(K)



**MegaLoc™**  
2" mechanical seam

XXXDL2420016  
XXXDL2420018  
XXXDL3220016  
XXXDL3220018



**Eavespan Soffit**

PAISO2415  
PAISO3215

Replace "XXX" with the applicable paint color code, or with "GLM" for unpainted (steel only).  
All measurements are nominal and can vary according to the FL building code.



# INSULATION AND UNDERLAYMENT



**APWEAHT3**  
**APOC Weather Armor HT**  
**Peel-and-Stick Underlayment**  
*2sq. rolls 39 3/8" x 65' 8"*



**APWEAFT**  
**APOC Weather Armor FT**  
**Fleece-Top Underlayment**  
*60 mil, fleecebacked, 2 square roll*  
*39 3/8" x 65' 8"*



**DST1.5**  
**Double Stick Insulation Tape**  
*1.5 x 165' roll*



**INTAS**  
**INTAW3X165**  
**Seam Tape**  
*White or silver*



**DBWF** *White Foil: 1 side foil, one side white poly. 4' x 125'*  
**Reflective Foil Insulation**  
*500/sq. ft. rolls*



**FELT30**  
**#30 Felt**  
*ASTM D226*  
*3' x 72'*

**UltiMate  
#10-14 Screws**

1-1/2", 2", 2-1/2" (5/16" head). Available in all colors and unpainted. Zinc-aluminum alloy cap ("ZAC®" style)



- PAIWU** 1.5", 2000/case
- PAIWU1** 1", 2500/case
- PAIWU2** 2", 1500/case
- PAIWU2.5** 2.5", 1000/case

**EnduraFast  
#10-14 Screws**

1-1/2", 2" (1/4" head). Available in all colors and unpainted. Full stainless fastener with zinc coating (compare to "MAC®" style with stainless head only)



- PAIWE** 1.5", 2000/case
- PAIWE1** 1", 2500/case
- PAIWE2** 2", 1500/case
- PAIWE2.5** 2.5", 1000/case

**Flat Top #12-14 x1" Lap Screws**

(5/16" flattop head). SMP colors only in stock



- PAISD1A** 2500/case

**UltiMate  
.25" Lap Screws**

1/4-14 x7/8" (5/16" undercut head). Available in all colors and unpainted. Zinc-aluminum alloy cap ("ZAC®" style)



- PAILAPU** 2000/case

**Pancake Self-Drilling Screws**

For attaching standing seam panels and clips to steel



- PCSD** 5000/case

**WoodTite  
#10-15**

1-1/2", 2" (1/4" head). Available in all colors and unpainted



- WT** 1.5" 2500/case
- WT2** 2" 2000/case
- WT2.5** 2-1/2" 1500/case
- WT3** 3" 1000/case

**UltiMate  
#12-14 x 1-1/4" Self Driller**

Available in all colors and unpainted. Zinc-aluminum alloy cap ("ZAC®" style)



- PAISD1.25A** 2000/case
- PAISD1.5A** 1500/case

**Pancake Type "A" for wood**

10-12 X 1", 1 1/2", or 2". For use with Combo square drive bit. Some stainless use square drive. Use with standing seam panels.



- PCWGL** 5000/case
- PCWCLIP** 5000/case
- PCWGL1.5** 5000/case
- PCWCLIP1.5** 2500/case
- PCWCLIP2** 2000/case
- PCWCLIP3** 2000/case
- PCWGLST** 5000/case
- PCWCLIPST** 5000/case
- PCWCLIP2ST** 5000/case

**1/8" #43 Stainless Steel Rivets**

Available in 24ga colors and unpainted. Use with steel panels and trim.



- PAISTRIVET** 250/bag

**UltiMate  
#12 x 1-1/2" Screws**

Available in all colors and unpainted. Zinc-aluminum alloy cap ("ZAC®" style)



- PAIW XU** 2000/case
- PAIW XU2** 1500/case

**Flat Top 1/4" Lap Screws**

1/4-14 x7/8" (5/16" flattop head). SMP colors only in stock



- PAILAPA** 2500/case

ZAC® is a registered trademark of the SFS Intec Group and typically describes a Zinc Aluminum Capped fastener. There are a multitude of similar fasteners which are also zinc aluminum capped, to include the UltiMate fastener line.

# SCREWS, TOOLS, AND CLIPS

## 304 Stainless Screw

Available in most aluminum panel colors.



**PAISS1.5A** 2500/case

## #14 "Goof Screw"

(5/16 head). Available unpainted in 1" and 1-1/2". Lead times apply for painted screws



**PAIGOOFW1** 2500/case  
**PAIGOOFW1.5** 2000/case

## Mechanical Seam 2-Piece Butterfly Clip

For 2" MegaLoc™



**CSSBG18 Galvanized** 150/case  
**CSST200G22 Stainless** 200/case  
**CSSBS18** 150/case  
**CSST200S22** 200/case

## 2 1/2" & 3" Star Drive Deck Screws

Also, 2 1/2" Combo Drive, per screw or by the case. Lifetime Warranty screw for both white and pressure treated wood



**DMIDSPGS-CSE** ~2175/case  
**DMIDSPG3S-CSE** ~1825/case

## 1/8" #43 Aluminum Rivets

Available in Kynar colors and unpainted. Use with aluminum panels and trim.



**PAIALRIVET**

## #14 ID x 1" OD Galvanized dish

With bonded neoprene washer. For attaching skylights



**WASH1**

## Scamp Screws

Stainless cap, #12. 1-1/2" and 2". Unpainted screws in stock. Type 17 cut point. Lifetime Warranty screw



**GLMSC** 2500/case

## Mechanical Seam Floating Clip

For 2" high MegaLoc™ Panels

**CSFL205G** 110/case  
**CSFL210G** 110/case  
For Open Framing



## Mechanical Seam 1-Piece Clip

For 1.5" VersaLoc™ Panels

**CSFX150G-NOA** 500/case  
**CSFX150S-NOA** 500/case



## GulfSeam™ Clip

For fastening GulfSeam™ panels

**GSCU175G** 250/case  
**GSCU175S** 250/case



## Quality Drivers



## Midwest Tool® Snips and Bending Tools



## Standing Seam Hemming Tool



**TSHD**  
**Malco® Turbo Sheer HD**  
Use with minimum 14.4V 3/8" Drill



## Seaming Tools



Rent or purchase at  
<http://www.gulfcoastsupply.com/DI>

# CLOSURE SOLUTIONS

## Profile Vent®

Our best venting solution comes in lengths of 50'!



## 5V Crimp

Inside  
Outside  
Vented



## CLOSURES

Closures come in panel widths.  
100/case unless specified otherwise.

## GulfRib™

Inside  
Outside  
Vented



## GulfPBR™

Inside  
Outside  
Vented



## Gooseneck Vent

Aluminum  
Available in  
4", 6" and 10"

**GNECK6** 16/case  
**GNECK10** 6/case



## Expanding Foam

Expands to  
fill up voids.  
Recommended  
for sealing panels  
over valleys.



## Flex-o-vent®

Universal vent material.  
Conforms to panel  
profile. Applies to trim,  
not panels. Self-adhering.

**FOV** 1-20 roll per pkg.



- » 5V Crimp, GulfWave: expands from 1/4" up to 1"
- » GulfRib, GulfPBR: expands from 3/8" up to 1 1/2"

**XF120** 10/case - 1" x 1" x 20'  
**XF5** 10/case - 1" x 1.5" x 15'

## Peel and Seal®

For sealing hips and ridges

- » Aluminum back
- » 33 1/2" x 6-inch roll

**PS6** 6/case



# BOOTS, PAINTS, AND SEALANTS



## Pipe Boots

Gray (#3 in 10 colors) for temperatures up to 250°

- » #3: 1/2" - 5" PAIPB3 15/case
- » #5: 4 1/4" - 7 1/2" PB5 10/case
- » #6: 5" - 9" PB6 10/case
- » #7: 6" - 11" PB7 10/case
- » #8: 7" - 13" PB8 5/case
- » #9: 10" - 19" PB9 5/case



## Silicone Pipe Boots

Gray, hi-temp (up to 450°)

- » #3: 1/2" - 5" PBSIL3
- » #5: 4 1/4" - 7 1/2" PBSIL5
- » #6: 5" - 9" PBSIL6
- » #7: 6" - 11" PBSIL7
- » #8: 7" - 13" PBSIL8
- » #9: 10" - 19" PBSIL9

Available in red, dark gray, light gray, brown, dark green, light blue, dark blue, white, tan, & black

PB3: BAR, CHA, LIG, COB, DAG, HAB, COS, POW, MOT, & BLA

## Retrofit/Electrical Boots

Gray with steel cleats

- » #1: 1/4" - 4 1/2" EB1 20/case
- EB2 20/case



Gray with neoprene rivets

- » #2: 4" - 9 1/4" EB2D 5/case
- » #3: 9 1/4" - 16"



## Touch-up Paint

Matches paint used on panels. Either 4 oz. can or 2 oz. bottle available in all colors.



- » 4 oz. brush-top cans PAITUP4S
- » 2 oz. brush bottles PAITUP4T

## Spray Paint

**Not intended for use on panels or trim.**

16 oz. cans, available in all colors.



- PAITUPS16K-9S
- PAITUPS9T

## Butyl Sealant Tape

Our most economical general purpose sealing solution



- » 3/32" x 3/4" x 50' BUTYL-34 20/case - 3/4"
- For polycarbonate panels BUTYL-S 32/case

## Titebond®

Adhesive/Sealant

- » UV resistant
- » 1% shrinkage to 0°F application
- » Very flexible
- » Fill up to 1" gaps
- » Paintable in 1-2 hours
- » Solvent-Free
- » Bonds to wet surfaces
- » Colors match panels
- » Solar Seal is a suitable substitute



- PAITB
- COPSS (Copper Solar Seal) 12/case

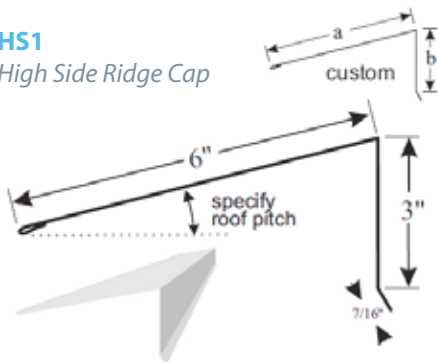
# RIDGE CAPS

PAI\_\_26(K)

PAI\_\_24

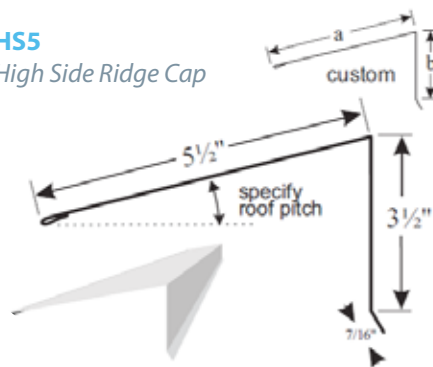
PAI\_\_32

**HS1**  
High Side Ridge Cap



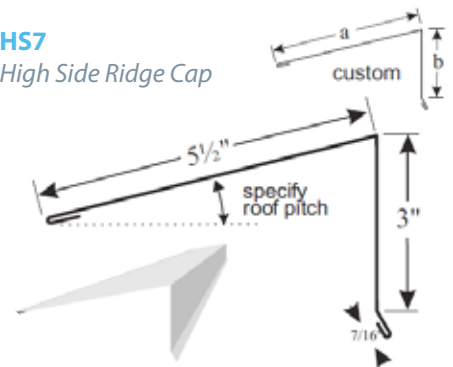
Application: GulfRib™

**HS5**  
High Side Ridge Cap



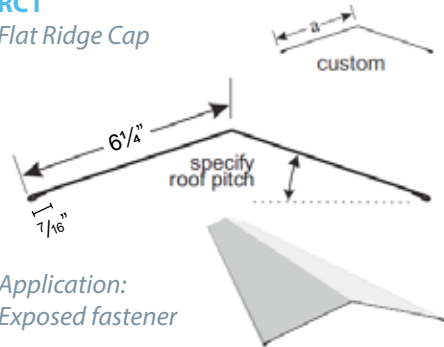
Application: GulfPBR™

**HS7**  
High Side Ridge Cap



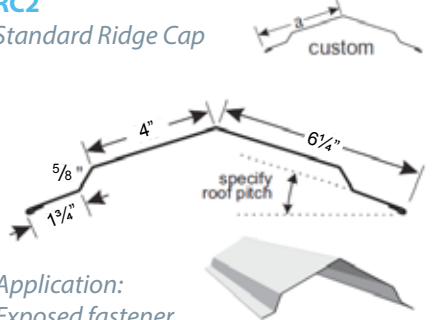
Application: GulfLok™

**RC1**  
Flat Ridge Cap



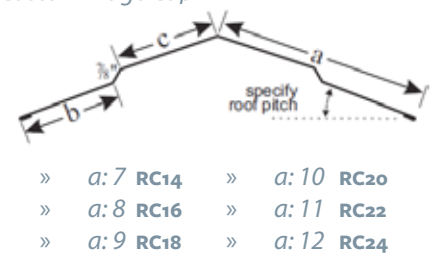
Application:  
Exposed fastener

**RC2**  
Standard Ridge Cap



Application:  
Exposed fastener

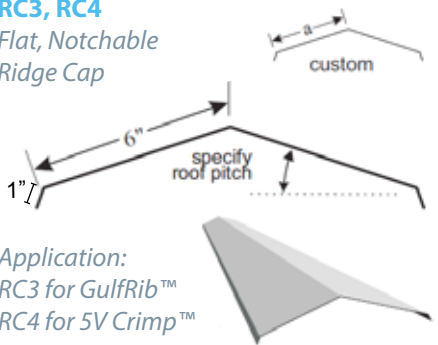
**RC2**  
Custom Ridge Cap



- » a: 7 RC14    » a: 10 RC20
- » a: 8 RC16    » a: 11 RC22
- » a: 9 RC18    » a: 12 RC24

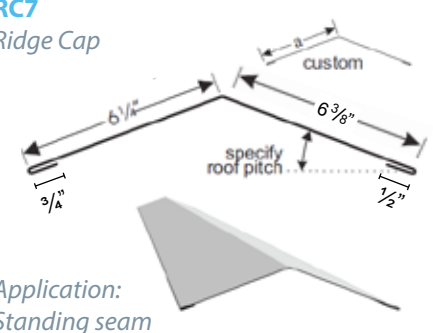
Application: Exposed fastener

**RC3, RC4**  
Flat, Notchable  
Ridge Cap



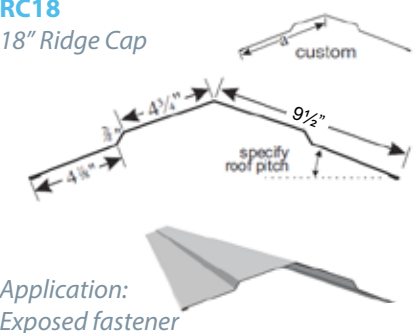
Application:  
RC3 for GulfRib™  
RC4 for 5V Crimp™

**RC7**  
Ridge Cap



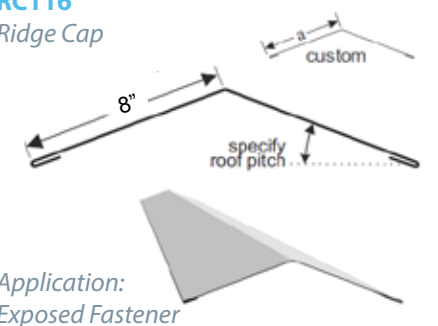
Application:  
Standing seam

**RC18**  
18" Ridge Cap



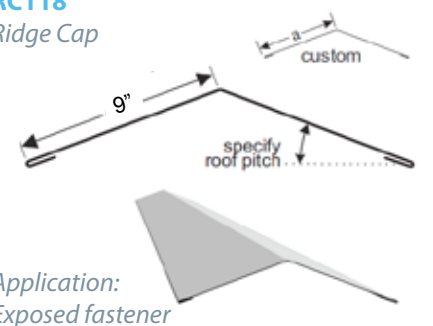
Application:  
Exposed fastener

**RC116**  
Ridge Cap



Application:  
Exposed Fastener

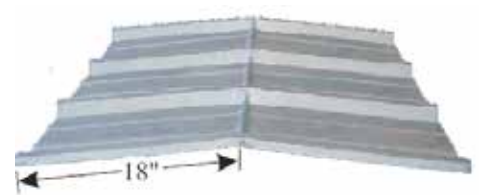
**RC118**  
Ridge Cap



Application:  
Exposed fastener

**Die-formed Ridge Cap**

24, 26 ga. 3' coverage. All colors available.  
1/12 pitch only.



Application: Gulf PBR

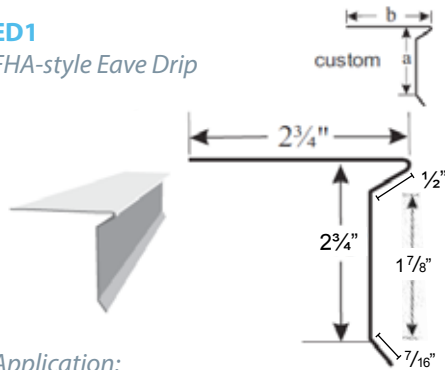
PAIRCDF26  
PAIRCDF24

# EAVE TRIMS

PAI\_\_\_26(K)  
PAI\_\_\_24  
PAI\_\_\_32

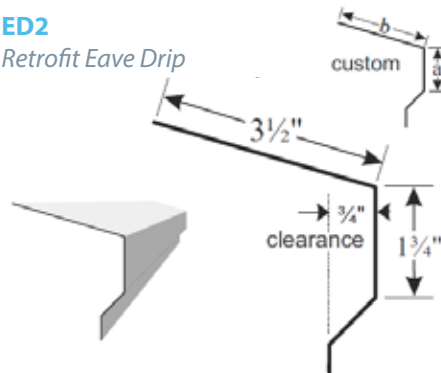


**ED1**  
FHA-style Eave Drip



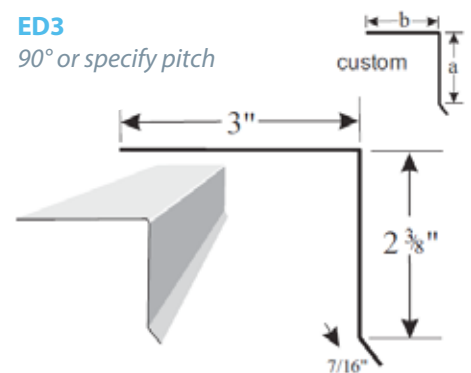
Application:  
Exposed fastener or shingles

**ED2**  
Retrofit Eave Drip



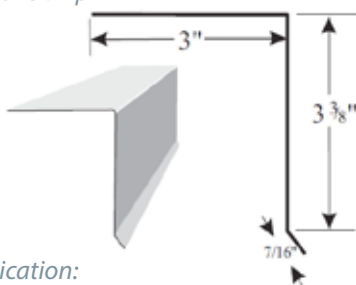
Matches GR1 Mini-Rake

**ED3**  
90° or specify pitch



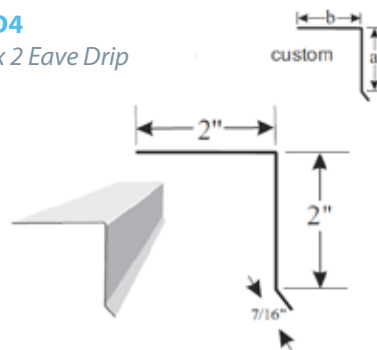
Application: All profiles

**ED3B**  
90° Eave Drip



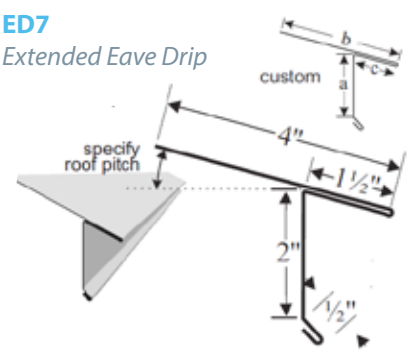
Application:  
All profiles over battens

**ED4**  
2 x 2 Eave Drip



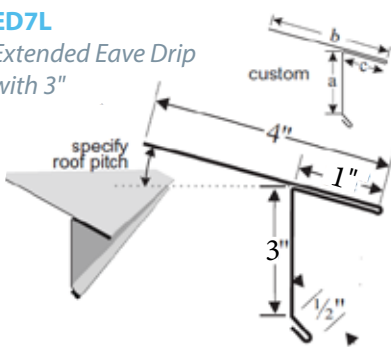
Application: All profiles

**ED7**  
Extended Eave Drip



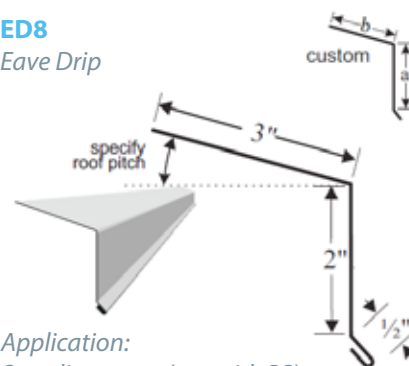
Application: Standing seam

**ED7L**  
Extended Eave Drip  
with 3"



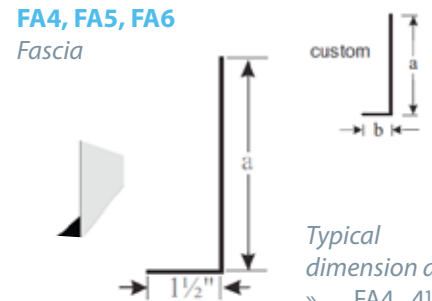
Application: Standing seam

**ED8**  
Eave Drip



Application:  
Standing seam (use with PS)

**FA4, FA5, FA6**  
Fascia



Application:  
All profiles

Typical  
dimension a:  
» FA4 4 1/2"  
» FA5 5 1/2"  
» FA6 6 1/2"

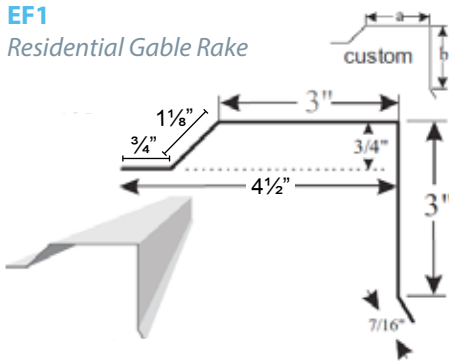
# GABLE TRIMS

PAI\_\_26(K)

PAI\_\_24

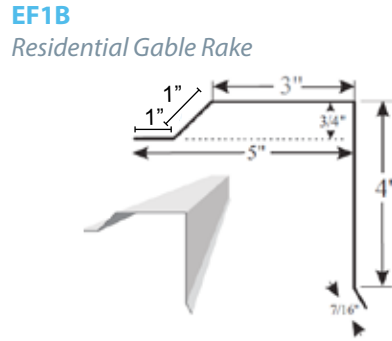
PAI\_\_32

**EF1**  
Residential Gable Rake



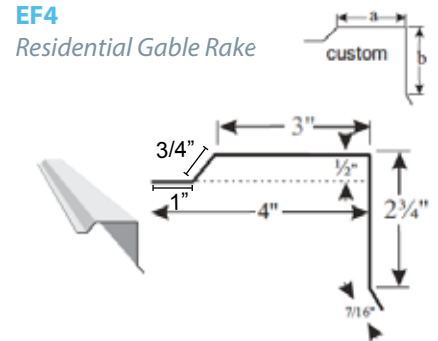
Application: GulfRib™

**EF1B**  
Residential Gable Rake



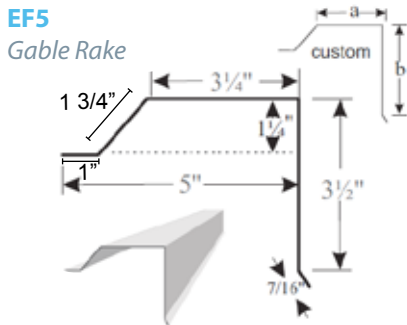
Application: GulfRib™ over battens

**EF4**  
Residential Gable Rake



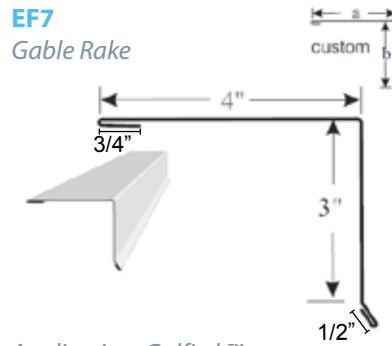
Application: 5V Crimp

**EF5**  
Gable Rake



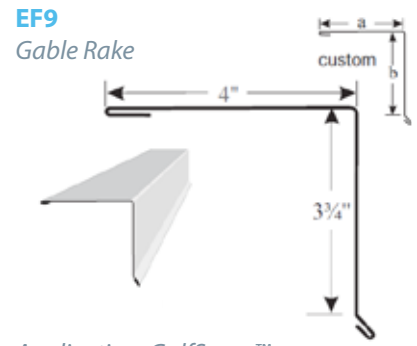
Application: GulfPBR™

**EF7**  
Gable Rake



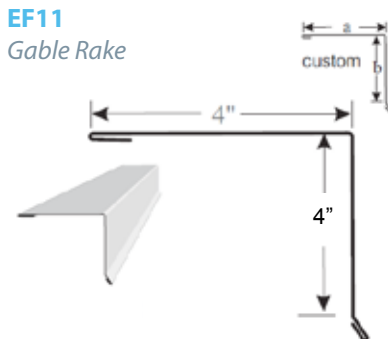
Application: GulfLok™

**EF9**  
Gable Rake



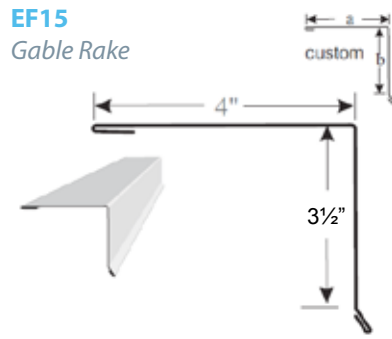
Application: GulfSeam™

**EF11**  
Gable Rake



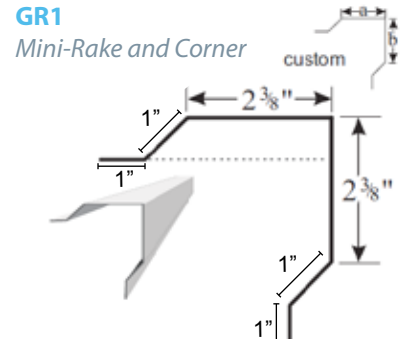
Application: MegaLoc™

**EF15**  
Gable Rake



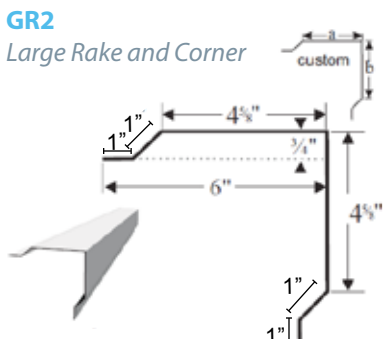
Application: VersaLoc™

**GR1**  
Mini-Rake and Corner



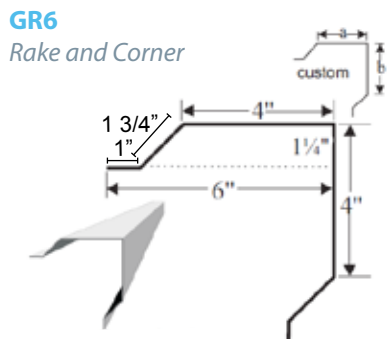
Application: GulfRib™

**GR2**  
Large Rake and Corner



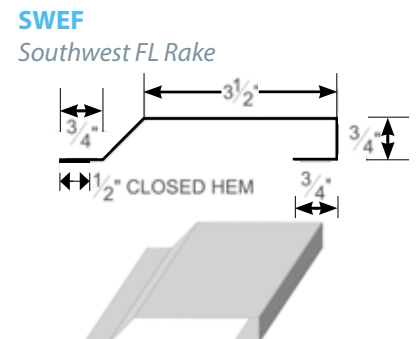
Application: GulfRib™

**GR6**  
Rake and Corner



Application: GulfPBR™

**SWEF**  
Southwest FL Rake



Application: 5V Crimp  
Use with ED3 or ED1

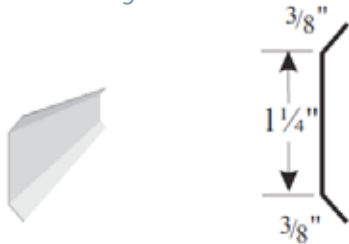


# WALL FLASHINGS

PAI\_\_\_26(K)  
PAI\_\_\_24  
PAI\_\_\_32

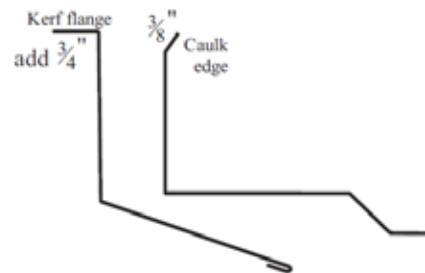


**CF1**  
Counterflashing

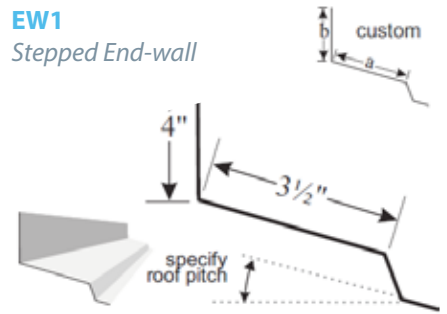


Application: All profiles

**Add a Kerf Flange or Caulk Edge to any SW or EW**

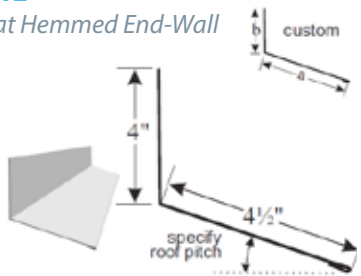


**EW1**  
Stepped End-wall



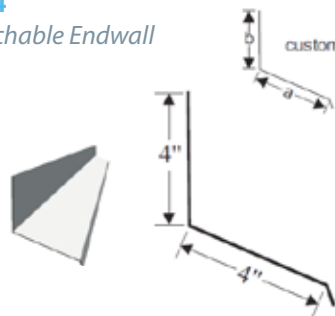
Application: Exposed fastener

**EW2**  
Flat Hemmed End-Wall



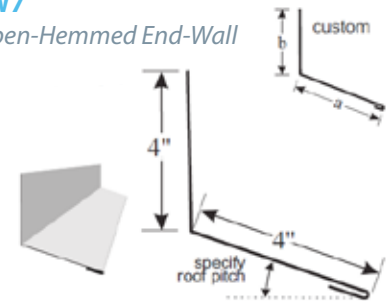
Application: Exposed fastener

**EW4**  
Notchable Endwall



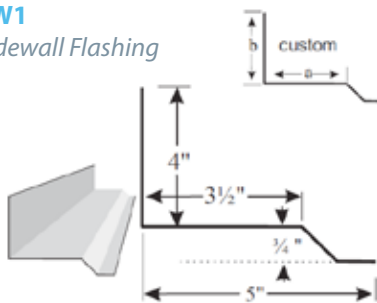
Application: 5V Crimp

**EW7**  
Open-Hemmed End-Wall



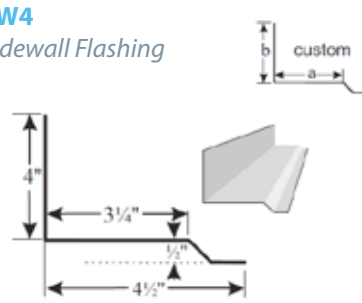
Application: Standing seam

**SW1**  
Sidewall Flashing



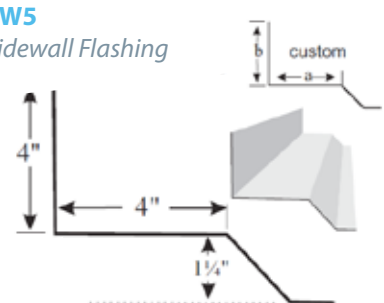
Application: GulfRib™

**SW4**  
Sidewall Flashing



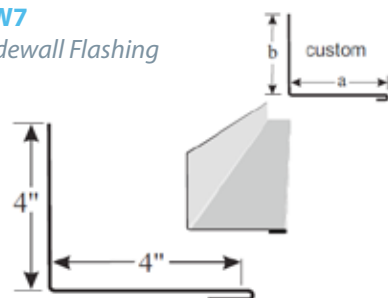
Application: 5V Crimp

**SW5**  
Sidewall Flashing



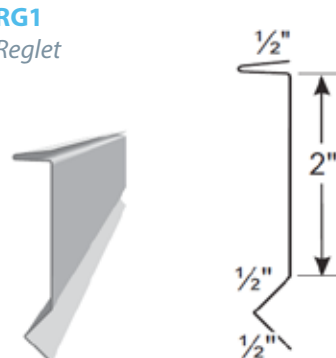
Application: GulfPBR™

**SW7**  
Sidewall Flashing



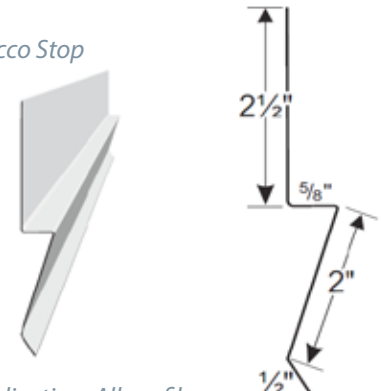
Application: Standing seam

**RG1**  
Reglet



Application: All profiles

**SS1**  
Stucco Stop



Application: All profiles

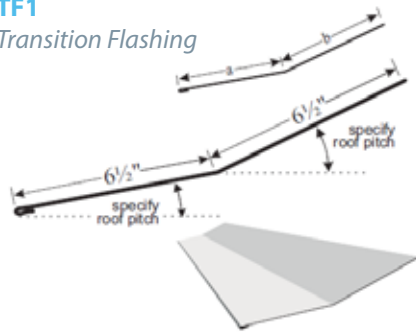
# TRANSITIONS & VALLEYS

PAI\_\_\_26(K)

PAI\_\_\_24

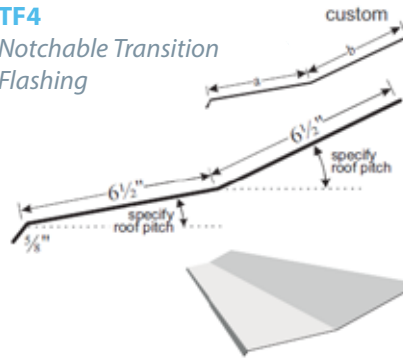
PAI\_\_\_32

**TF1**  
Transition Flashing



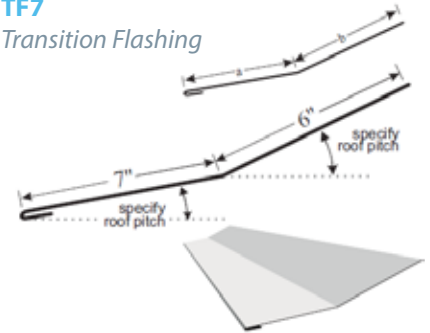
Application: Exposed fastener

**TF4**  
Notchable Transition Flashing



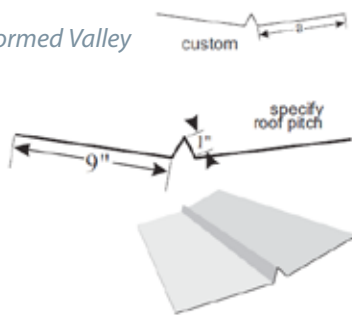
Application: All profiles

**TF7**  
Transition Flashing



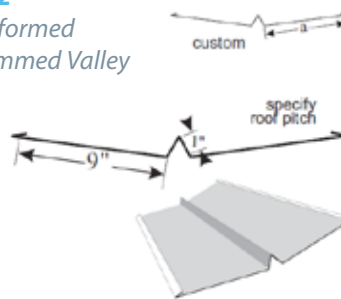
Application: Standing seam

**PV1**  
Preformed Valley



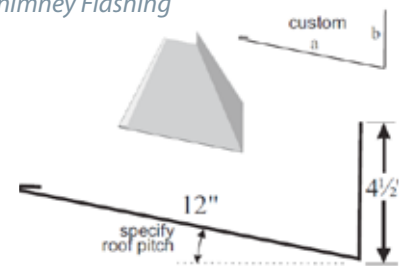
Application: All profiles

**PV2**  
Preformed Hemmed Valley



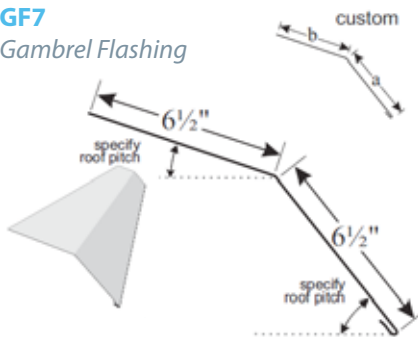
Application: All profiles

**CH1**  
Chimney Flashing



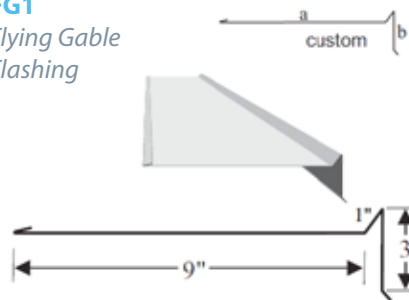
Application: All profiles

**GF7**  
Gambrel Flashing



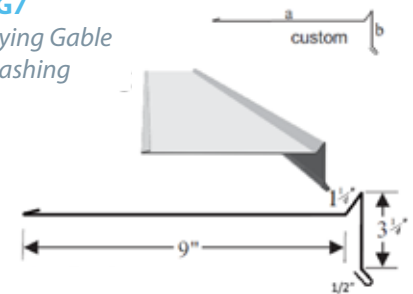
GF1 Application: Exposed fastener  
GF7 Application: Standing seam

**FG1**  
Flying Gable Flashing



Application: GulfRib™

**FG7**  
Flying Gable Flashing



Application: Standing seam

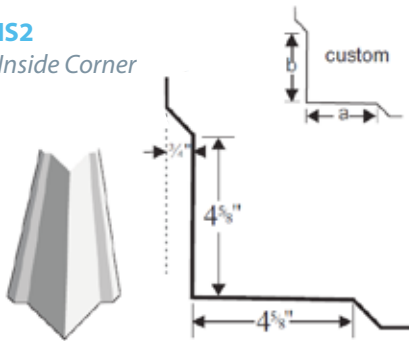
# CORNER TRIMS

PAI\_\_26(K)

PAI\_\_24

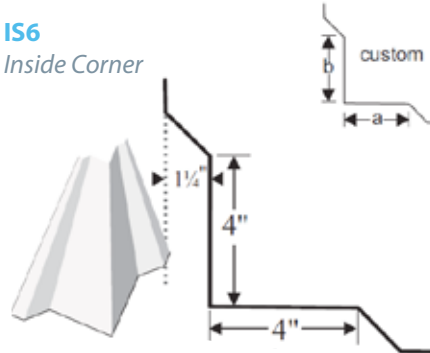
PAI\_\_32

**IS2**  
Inside Corner



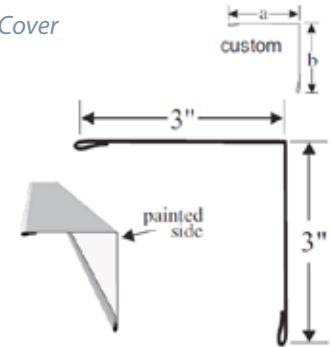
Application: GulfRib™

**IS6**  
Inside Corner

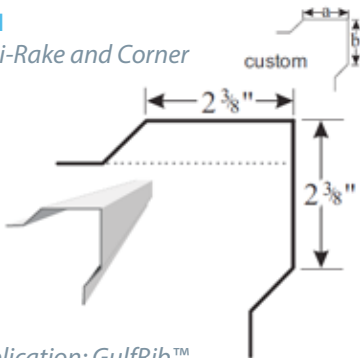


Application: GulfRib™

**PC5**  
Post Cover

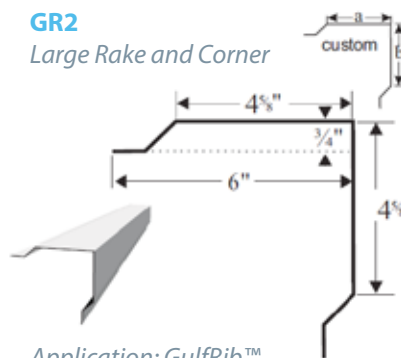


**GR1**  
Mini-Rake and Corner



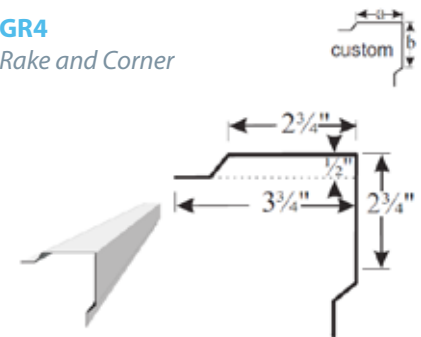
Application: GulfRib™

**GR2**  
Large Rake and Corner



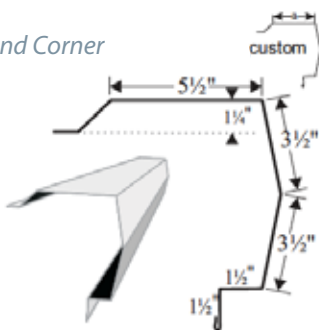
Application: GulfRib™

**GR4**  
Rake and Corner



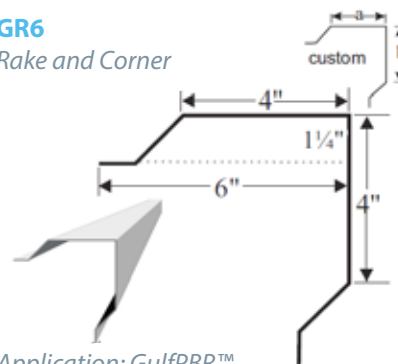
Application: 5V Crimp

**GR5**  
Rake and Corner



Application: GulfPBR™

**GR6**  
Rake and Corner



Application: GulfPBR™

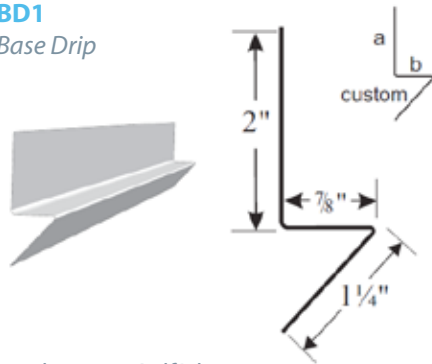
# PANEL CAPPING TRIMS

PAI\_\_\_26(K)

PAI\_\_\_24

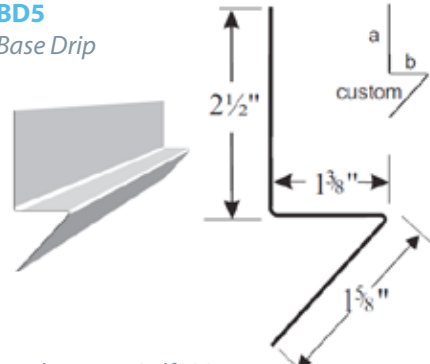
PAI\_\_\_32

**BD1**  
Base Drip



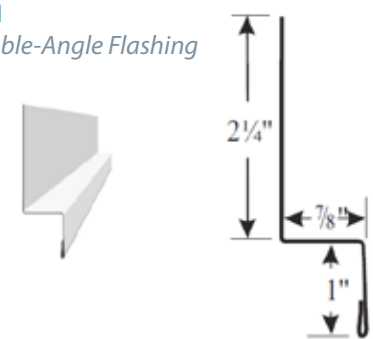
Application: GulfRib™

**BD5**  
Base Drip



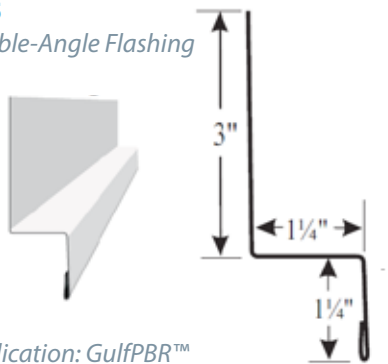
Application: GulfPBR™

**DA1**  
Double-Angle Flashing



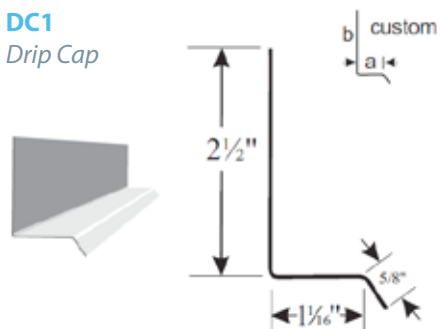
Application: GulfRib™

**DA5**  
Double-Angle Flashing



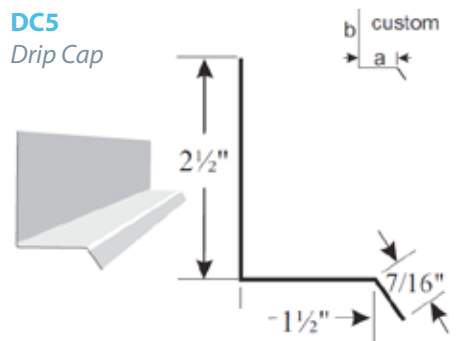
Application: GulfPBR™

**DC1**  
Drip Cap



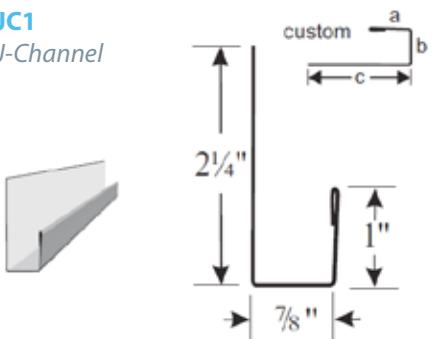
Application: GulfRib™

**DC5**  
Drip Cap



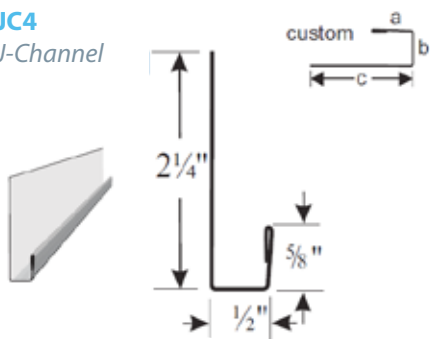
Application: GulfPBR™

**JC1**  
J-Channel



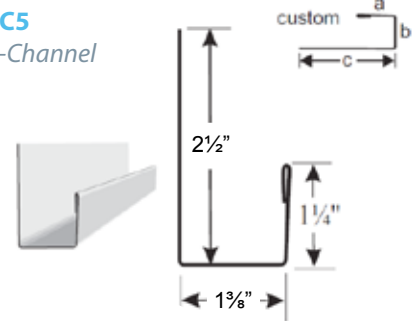
Application: GulfRib™

**JC4**  
J-Channel



Application: 5V Crimp

**JC5**  
J-Channel



Application: GulfPBR™



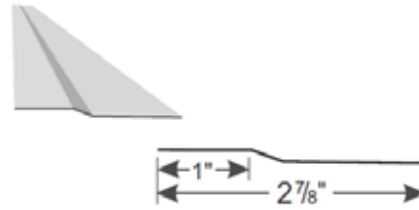
# OTHER TRIMS

PAI\_\_\_26(K)  
PAI\_\_\_24  
PAI\_\_\_32

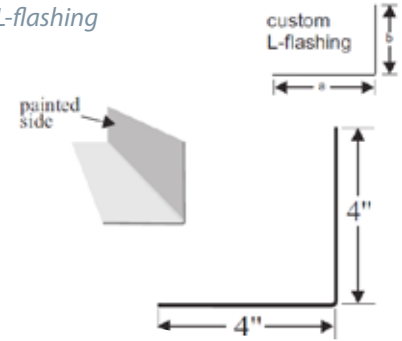
**EC1**  
Eave Cleat



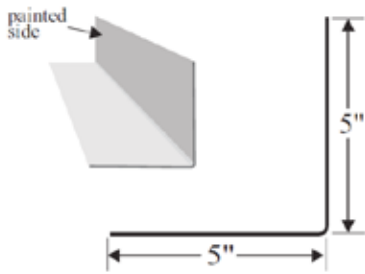
**PS**  
Panel Starter



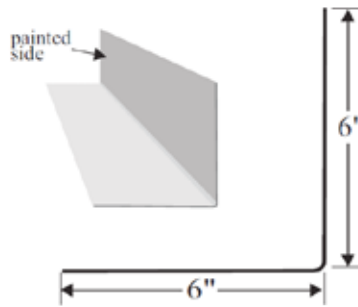
**LF4**  
L-flashing



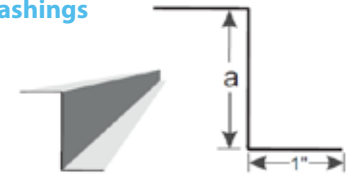
**LF5**  
L-flashing



**LF6**  
L-flashing

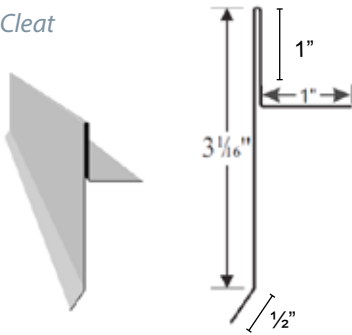


**Z-Flashings**



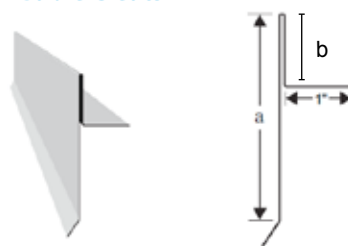
- » Z-Flashing GulfLok™ a: 7/8" **ZF7**
- » Z-Flashing GulfSeam™ a: 1 3/4" **ZF9**
- » Z-Flashing MegaLoc™ a: 2" **ZF11**
- » Z-Flashing VersaLoc™ a: 1 1/2" GulfLok™ **ZF15**

**GC7**  
Gable Cleat



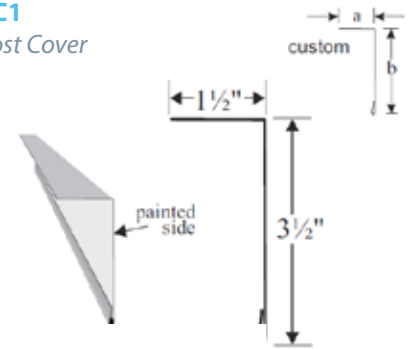
Application: GulfLok™

**Other Gable Cleats**



- » GulfSeam a: 3 3/4" b: 1 3/4" **GC9**
- » MegaLoc a: 4" b: 2" **GC11**
- » 1 1/2" Rib Panels a: 3 1/4" b: 3 1/2" **GC15**


**PC1**  
Post Cover





Crafted Metal can manufacture an almost endless array of custom trim shapes to include gutters, coping caps and edge metal. Please provide a detailed drawing of the requested items using the form below. Contact your sales representative for more information or if you would like to verify that a shape can be produced.

**ALL STANDARD AND CUSTOM TRIMS CAN BE FABRICATED IN 20' LENGTHS**

CKL# 1114 REV. : 1		<b>Custom Trim Form</b>			 Crafted Metal	
Account Name:		Account #:		Sales Order:		
Warehouse:		Sales Rep:	Ship Date:		Profile:	
Quantity:				Quantity:		
Color:				Color:		
Gauge:				Gauge:		





# Crafted Metal

Details Matter.

**Standard and Custom Products:** Drip Edge, Valley Flashings, Transition Flashing, Roofing Ventilation, Metal Roofing Panels, Angle Flashing, Step Flashing, Commercial Gutters, Counter Flashing, Tile Risers/Closures, Gravel Stops, Steel & Aluminum Coil

## Metal Panels

- GulfRib™
- GulfLok™
- GulfSeam™
- 5V Crimp
- GulfPBR™
- VersaLoc™
- GulfWave™
- MegaLoc™
- Flat Sheets

## Flashings

- Angle
- Valley Flashings
- Chimney
- Gambrel
- L Flashing
- Z Flashing
- Counter
- Sidewall

## Roof & Wall Trim

- Ridge Caps
- Eave Drip
- Eave Cleat
- Base Drip
- Drip Cap
- Post Cover
- Corner Trim
- Rake & Corner
- Panel Starter

## Rolled Coil

- PVDF Steel & Aluminum
- SMP Steel
- Galvalume
- PVC
- Numerous Color Options

## Accessories

- Boots
- Adhesives
- Underlayments
- Closures
- Sheers
- Seaming Tools
- Snips

## Fasteners

- Clips
- Deck Screws
- Roof Screws
- Rivets
- Panhead Screws
- Bits

## Soffit

- 24" & 32"
- Soffit Fascia
- Soffit J-Channel



A Division of Gulf Coast Supply & Manufacturing